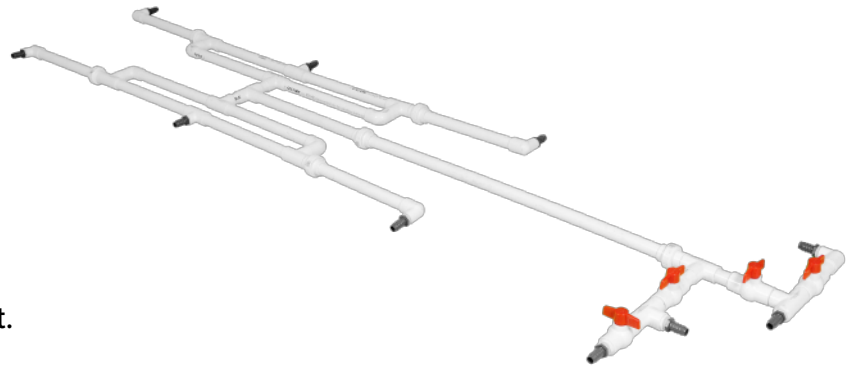


**1.** Lay Bucket Manifold in place.

**2.** Pump Manifold will connect with Bucket Manifold at union joint.

**3.** Simply turn union clockwise until tight.



**4.** Attach 3" T-Fit bulkhead to the Slucket, simply turn bulkhead nut clockwise until tight. Ensure rubber gasket on T-Fitting is on the outside of the Slucket bucket.



**5.** Attach Rubber fittings with clamps (Rubbers are 3" inches long and white with Slucket logo) to the ends of the T-Fittings, these will support the spacers in-between the Sluckets.



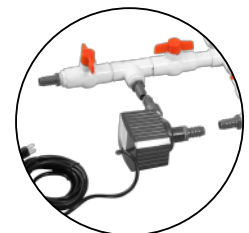
**6.** Attach Black Rubber End-Caps to the end of your Posiflow runs, you'll receive 3 of these with your system. One Rubber End-Cap will be placed on the Control Slucket T-Fitting.

**7.** Slucket will come with Elbow Joint glued in place, ensure barb on the bottom of the Slucket is facing the barb on the Bucket Manifold. Place all of your Growth Modules in place.



**8.** Cut a piece of 1" Black Poly line to make the connection between Slucket Growth Module and Bucket Manifold. (1" Black Poly is provided in the manifold box) Repeat these Steps for the rest of the Growth Modules and Control Module.

**9.** Prepare Water Pump to connect to Pump Manifold. Place onto ground, ensure pump is set into proper place. (Cord to pump will be facing away from Control Module)



**10.** Cut 2 pieces of 1" Black Poly to attach barbs from Water Pump to barbs of Pump Manifold.

**11.** Place 3" PVC Spacers between Growth Modules, attach using the Rubber's with clamps. (Rubber's are 3" inches long and white with Slucket Logo)



**12.** Attach End of Top Manifold to Control Module T-Fitting, attach using Rubber's with clamps.



**13.** Take PondMaster Air Pump out of packaging found in manifold box, place anywhere. (Air Line and Air Stones are NOT included in the Posiflow system.)

**14.** Place Growth Module Lids (8" hole) on Growth Module Sluckets and Control Module Lid (No Hole) onto Control Slucket. (Net Pots are NOT included in the Posiflow system.)

**15.** Posiflow by Slucket is ready for Water!

