



A compact and efficient metal halide solution

Mastercolor CDM-T Elite Med Wattage Agro

Philips Elite Agro 315W T12 Lamp provides a compact and efficient metal halide solution for the horticulture market. This lamp, combined with the efficient ballast, provides outstanding growth light performance over the life of the product.

Benefits

- Energy-efficient alternative to HPS or Quartz Metal Halide systems
- Compact lighting solution for growth chambers and greenhouses
- Suitable for open fixtures

Features

- Excellent PPF (Photosynthetic Photon Flux) value of 1.9 micromols per second
- Excellent growth light maintenance- 85% of the PPF at 20,000 hours

Warnings and Safety

- R "WARNING: These lamps can cause serious skin burn and eye inflammation from short wave ultraviolet radiation if outer envelope of the lamp is broken or punctured. Do not use where people will remain for more than a few minutes unless adequate shielding or other safety precautions are used. Certain lamps that will automatically extinguish when the outer envelope is broken or punctured are commercially available." This lamp complies with FDA radiation performance standard 21 CFR subchapter J. (USA:21 CFR 1040.30 Canada: SOR/DORS/80-381)

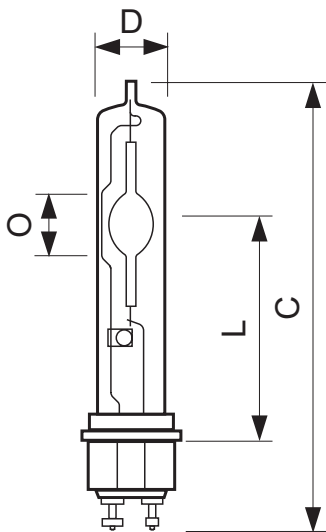
PHILIPS

Related products



PGZX18., T12, Clear, Protected

Dimensional drawing



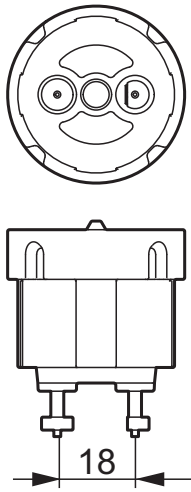
Mastercolor CDM-T Elite 315W T12 CL Agro P

Product	C (Norm)	C (Max)	D (Norm)	D (Max)
CDM TMW 315W PGZX18, U Agro P	193	-	38	-

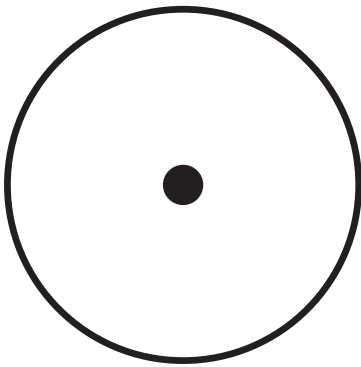
General Characteristics

Product number	Full product name	Base	Bulb	Bulb Finish	Operating Position	Life to 5% failures EL	Life to 10% failures EL	Avg. Hrs. Life
415216	Mastercolor CDM-T Elite 315W T12 CL Agro P	PGZX18.	T12	Clear	Universal	hr	12000 hr	30000 hr

Installation diagrams



PGZX18.

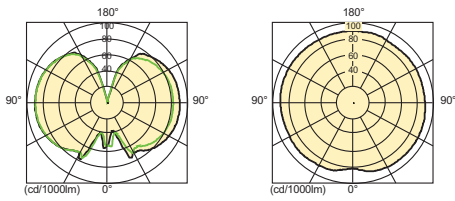


any

Light Technical Characteristics

Product number	Full product name	Color Code	Color Rendering Index	Color Designation	Color Temperature	Initial Lumens	Luminous Efficacy Lamp EL	Lumen Maintenance EL 10000h	Chromaticity Coordinate X	Chromaticity Coordinate Y
415216	Mastercolor CDM-T Elite 315W T12 CL Agro P	-	92 Ra8	-	3100 K	33000 Lm	105 Lm/W	%	0.41 -	0.365 -

Light technical



CDM-T Elite MW 315W /930

Electrical Characteristics

Product number	Full product name	Watts	Lamp Wattage EL 25°C, Rated	Lamp Wattage EL 25°C, Nominal	Lamp Voltage	Lamp Current EL
415216	Mastercolor CDM-T Elite 315W T12 CL Agro P	315 W	315.0 W	315.0 W	98 V	3.15 A

Luminaire Design Requirements

Product number	Full product name	Cap-Base Temperature	Bulb Temperature
415216	Mastercolor CDM-T Elite 315W T12 CL Agro P	250 C	350 (max) C

Environmental Characteristics

Product number	Full product name	Energy Efficiency Label (EEL)	Mercury (Hg) Content	Energy consumption kWh/1000h
415216	Mastercolor CDM-T Elite 315W T12 CL Agro P	A+	28 (max) mg	346 kWh



© 2015 Koninklijke Philips N.V. (Royal Philips)
All rights reserved.

Specifications are subject to change without notice. Trademarks are the property of Koninklijke Philips N.V. (Royal Philips) or their respective owners.

www.philips.com/lighting

2015, June 9
data subject to change