

JUMP START™ T5

JumpStart Grow Light System™ ASSEMBLY INSTRUCTIONS

PARTS LIST

Light Stand

- 2 – upright legs
- 2 – 18" long foot pieces
- 1 – channel crossbar
- 2 – #10 Philips head screws
- 2 – #10 flat washers
- 2 – #10 split lock washers

Bulbs

- 1 – T5 HO Hydrofarm fluorescent tube

Light Fixture

- 1 – 4 ft. or 2 ft. T5 fluorescent fixture

RECOMMENDED TOOLS

- Philips screwdriver, Pliers

- 1 To attach each foot (18" pieces with black caps) insert the foot piece onto the leg piece just in between the two locator ribs. (See Figure 1) From under the foot piece thread in the #10 screw through the washers and tighten with your Philips screwdriver.
- 2 Insert the legs into the crossbar. You may need to use a rubber mallet to fully secure the placement. Use caution to ensure you don't damage the frame. (See Figure 2 and 3)
- 3 Stand your Jump Start system upright on a stable surface in preparation to attach the T-5 grow light to the hanger cables (See Figure 4)

Figure 1

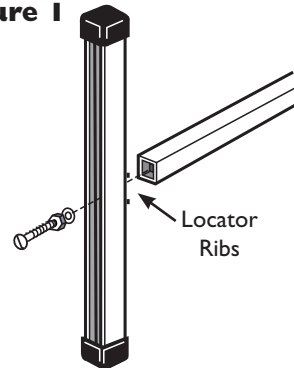


Figure 2

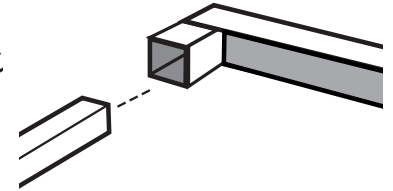
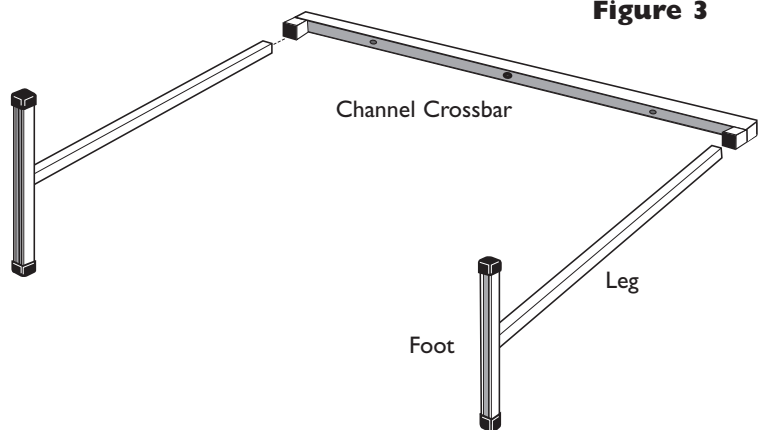


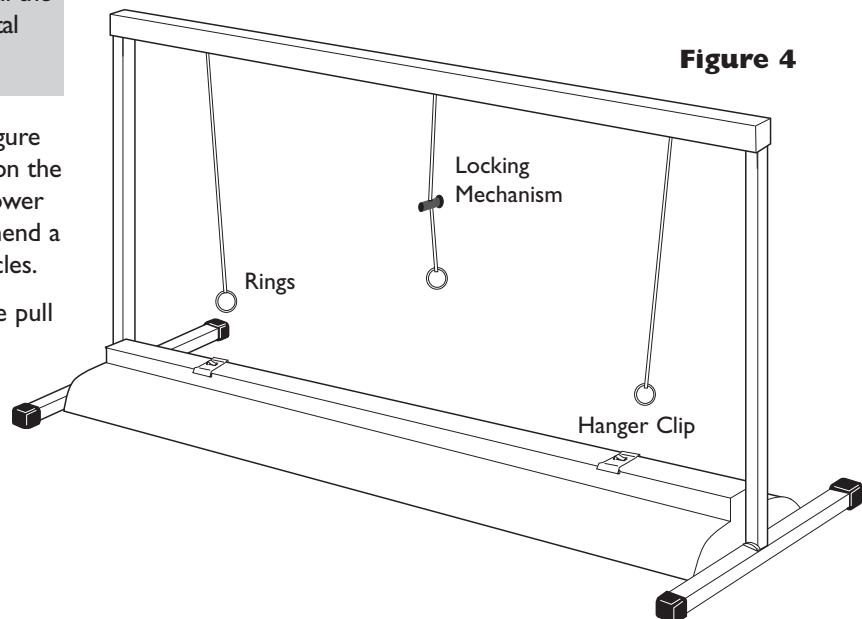
Figure 3



IMPORTANT NOTE

- 4 Before installing the bulb, remove the cardboard and inspect each socket end on the lighting fixture to ensure it is ready to receive the pins on the ends of the fluorescent tube. Gently align the pins vertically upon inserting them into each socket and once it is all the way down, gently rotate the bulb to seat the pins into horizontal orientation. You should feel a click upon proper installation.
- 5 Set the fixture under the channel crossbar as shown (See Figure 4) and pull down the hanger cables. Attach the hanger clips on the T-5 fixture to the rings on the suspension cables. Plug the power cord of the fixture into a 120V electrical outlet. We recommend a grounded timer (part# TM01015) to automate your light cycles.
- 6 You can regulate the height of your light fixture by using the pull cord and locking mechanism. (See Figure 4)

Figure 4



IMPORTANT! Fixture Safety Precautions

- Take care to install the bulb properly into the sockets before plugging in the unit.
- Do not use with dimmers.
- Avoid direct contact with water



HYDROFARM