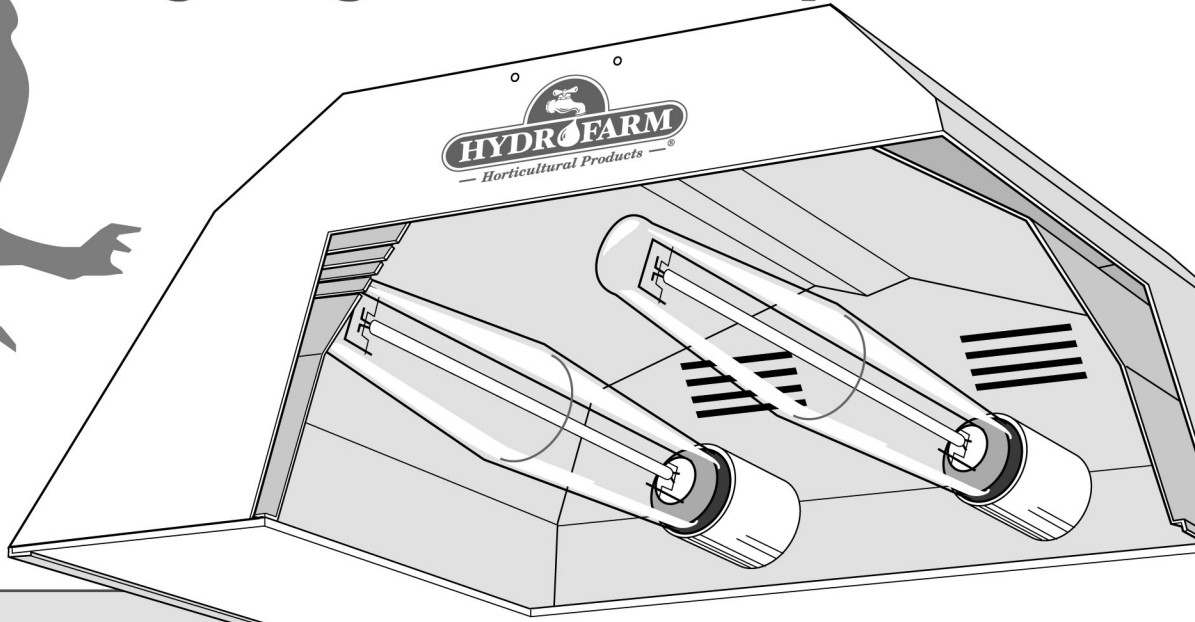


GROWZILLA

Grow with the most powerful
light system on the planet!

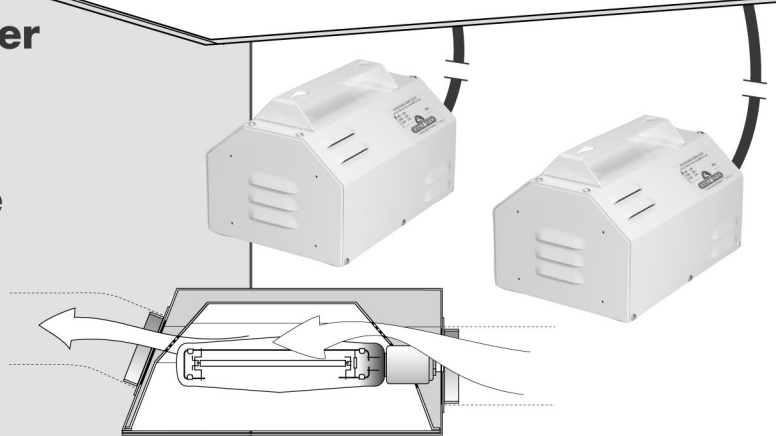


▶ Up to 290,000 lumens —
THE ULTIMATE in growing power

▶ Mix/match sodium and halide,
lower wattage/higher wattage

▶ Air coolable - includes flanges
and lens

▶ Compatible with all Hydrofarm
cord sets and ballast enclosures



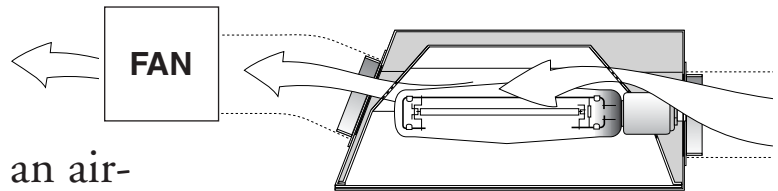
-25 YEAR REFLECTIVE MATERIAL WARRANTY

Growzilla Instruction Addendum

The Growzilla is a super high performance system that requires special set up and operating conditions to perform properly.

Air Cooling Required!

The Growzilla is designed as an air-coolable system. Due to the higher temperatures generated inside the reflector, air-cooling is *required* for the system to operate properly.



Timer On/Off Synchronization

Due to the fact that some HID lamps may have difficulty starting in an already hot enclosure, it is important that the timers for each of the light systems turn both systems on within a very close time of each other.

Electrical Load

Please pay attention to electrical load guidelines as spelled out in the general lighting instructions. Do not overload your circuits. You will probably need two independent circuits to operate the Growzilla and the fan unit that would be used with it.

